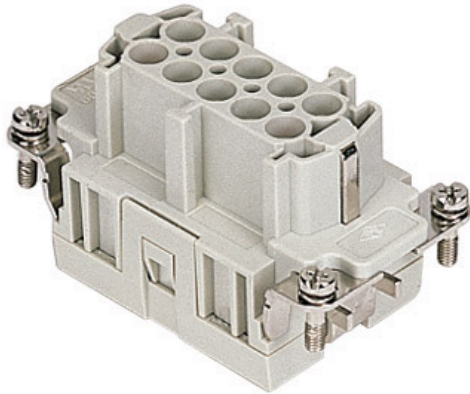




Part number

# CMSEF 03



## Brief description:

female insert, 3 poles + PE, spring terminal connections , 16A 830V, (2 poles (16A max - 500V/6kV/3)), 8kV, 3, silver plated, size "57.27", CLASS insert series

Product description		Approvals / Standards	
<b>Model</b>	female insert	<b>Reference standard</b>	EN 61984 (2001-11)
<b>Version</b>	spring terminal connections	<b>Quality mark</b>	 , EAC
<b>Series</b>	CMSE	<b>Conformity</b>	CQC, CE
<b>Product type</b>	with female contacts	General ordering information	
<b>Family</b>	CLASS inserts	<b>EAN13 code</b>	8015747128384
<b>Size</b>	size "57.27"	<b>Tariff number</b>	85369095
<b>N. of poles</b>	3 poles + 	<b>Country of origin</b>	Made in EU (IT)
<b>Auxiliary poles</b>	2 poles (16A max - 500V/6kV/3)	<b>ETIM classification</b>	EC000438
Technical data		Packaging Information	
<b>Current</b>	16 A (A.C. and D.C.)	<b>Packaging length</b>	210,00 mm
<b>Voltage</b>	830 V	<b>Packaging height</b>	130,00 mm
<b>Rated impulse withstand voltage</b>	8kV	<b>Packaging width</b>	240,00 mm
<b>Pollution degree</b>	3	<b>Packaging weight</b>	1,77 kg
<b>Wire cross-section</b>	0,14 mm <sup>2</sup> - 2,50 mm <sup>2</sup>	<b>Packaging volume</b>	6,55 dm <sup>3</sup>
<b>AWG size</b>	26 - 14	<b>Packaging description</b>	Carton box
<b>Operating temperature range (min, max)</b>	-40°C ... +125°C	<b>Packaging quantity</b>	30 Pcs
<b>Contact type</b>	silver plated	<b>Packaging EAN code</b>	8015747128599
<b>Mating cycles</b>	≥ 500	<b>Sub-packaging weight</b>	0,30 kg
<b>IP degree of protection</b>	IP20 without enclosure; IP65/IP66/IP67/IP68 with enclosure	<b>Sub-packaging description</b>	Carton
<b>PE wire cross-section</b>	0,14 - 4 mm <sup>2</sup> ; AWG 20 - 12	<b>Sub-packaging quantity</b>	5 Pcs
Further technical details		<b>Sub-packaging EAN barcode</b>	8015747128605
<b>Characteristics according to EN 61984</b>	16A 830V 8kV 3 (aux: 16A 500V 6kV 3); 16A 1000V 8kV 2 (power contacts only)		
<b>Insulation resistance</b>	≥ 10 GΩ		
<b>Rated voltage according to UL/CSA</b>	600V		
<b>UL 94 flammability rating</b>	V-0		
<b>Weight</b>	59,00 g		

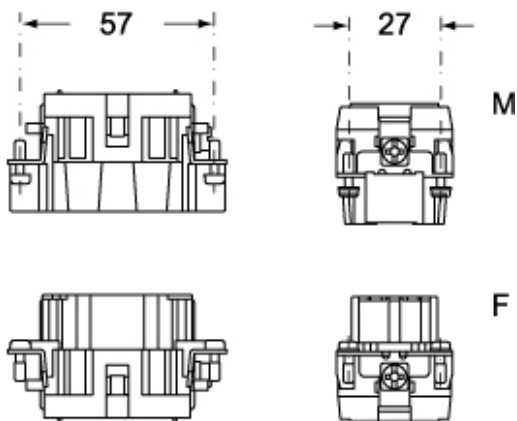
Part number

# CMSEF 03

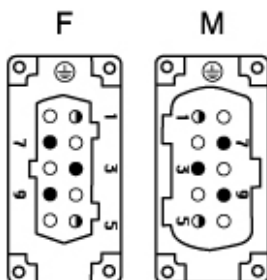


## Catalogue drawings

### CMSEM 03

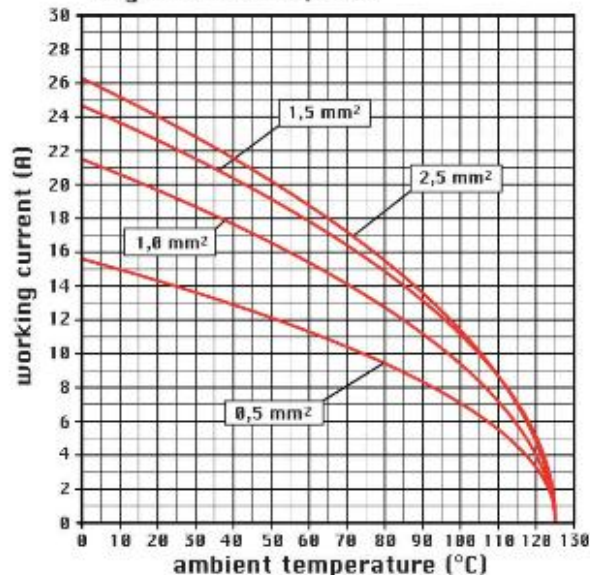


### CMSEF 03



## Catalogue drawings

diagram CMSE 03 poles



## Notes

CMSEF/M 03 inserts:

- characteristics according to EN 61984:
    - 16A 830V 8kV 3
    - 16A 1000V 8kV 2
    - 16A 720/1250V 8kV 2
  - auxiliary contacts: 16A 500V 6kV 3
  - UL, CSA, CCC, GOST certified
  - rated voltage according to UL/CSA: 600V
  - insulation resistance: > 10 GOhm
  - ambient temperature limit: -40 °C ... +125 °C
  - are made of self-extinguishing thermoplastic resin UL 94 V0
  - mechanical life: > 500 cycles
  - contact resistance: < 3 mOhm
  - enclosures: size 57.27:
- C-TYPE IP65/IP66  
C7 IP67 stainless steel lever  
V-TYPE IP65/IP66 stainless steel lever  
T-TYPE IP65 insulating  
JEI zinc-plated steel lever  
BIG hoods  
W-TYPE aggressive environments

EMC  
central lever  
IP68  
panel supports: COB